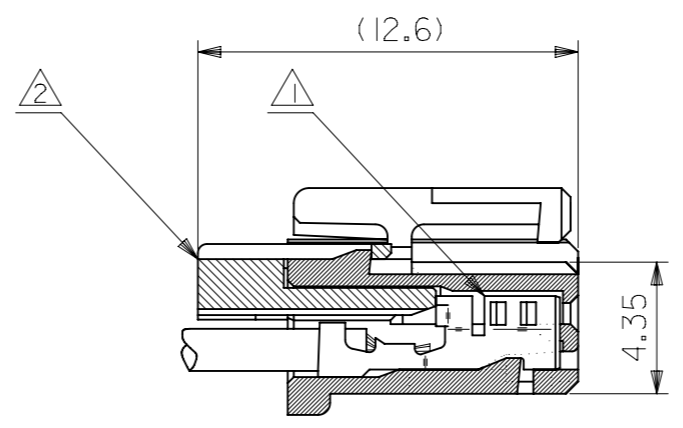
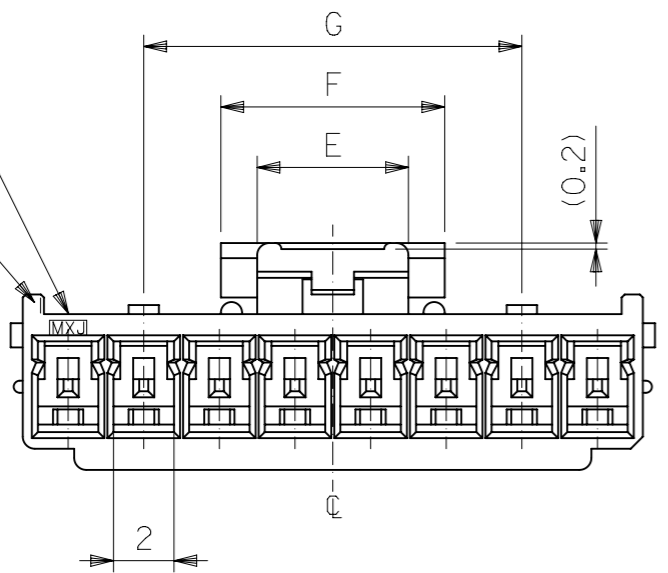


トレードマーク
TRADE MARK

回路番号 1
CIRCUIT NO.1

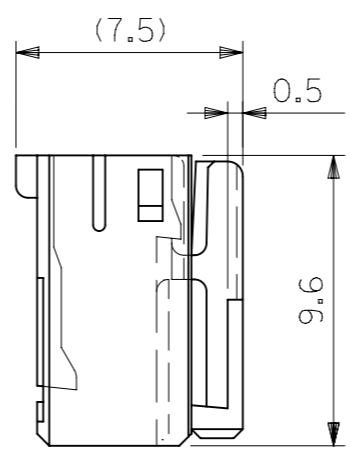
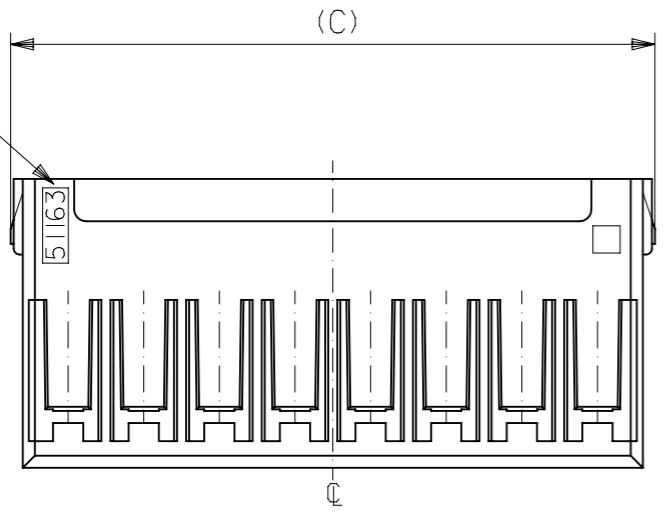


ターミナル及びリテーナー装着状態図
TERMINAL AND RETAINER ASSEMBLY DRAWING

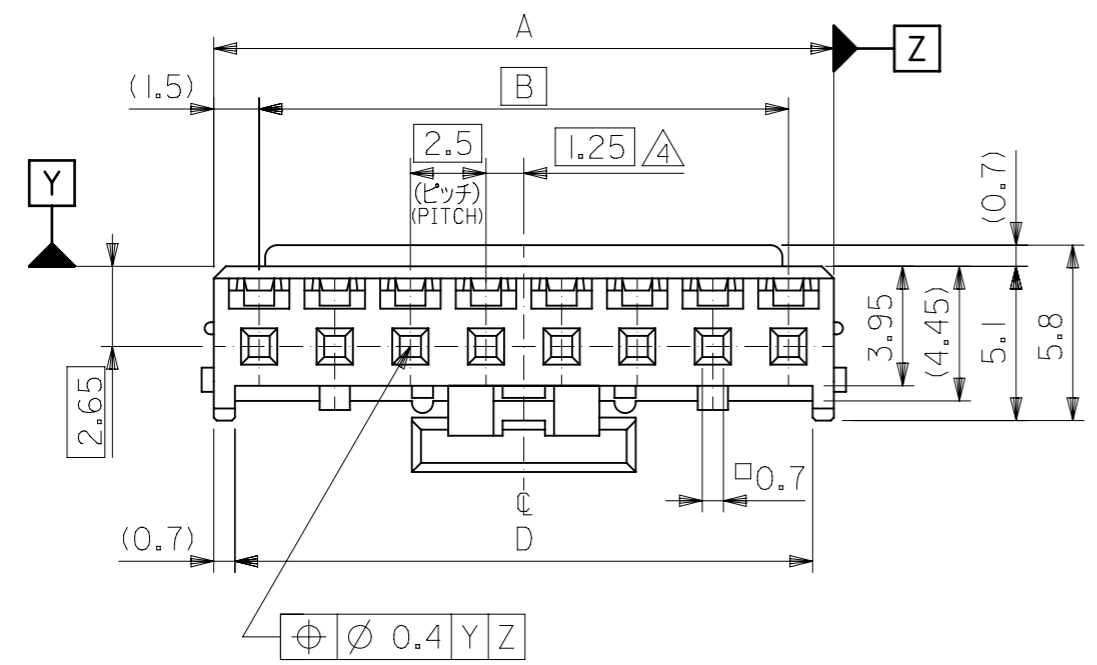
注記 NOTES

- △1 適合ターミナル : 50752-8*00
APPLICABLE TERMINAL : 50752-8*00
- △2 適合リテーナー : 51164-**05
APPLICABLE RETAINER : 51164-**05
- 3. 嵌合相手 : 53375,53376,53388,53389,53426 シリーズ
MATE WITH : 53375,53376,53388,53389,53426 SERIES
- △4 偶数極の製品に適用。
APPLY EVEN CIRCUIT PRODUCTS.

製品番号
ENG. NO.



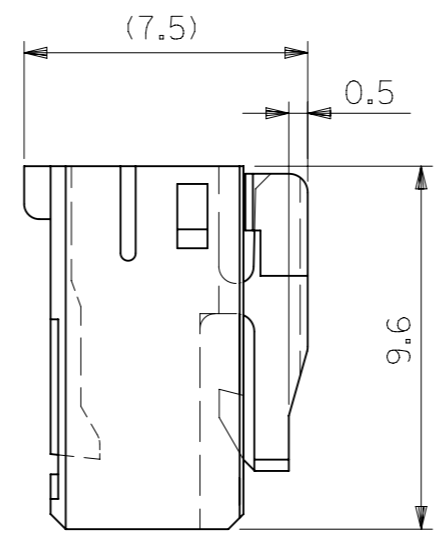
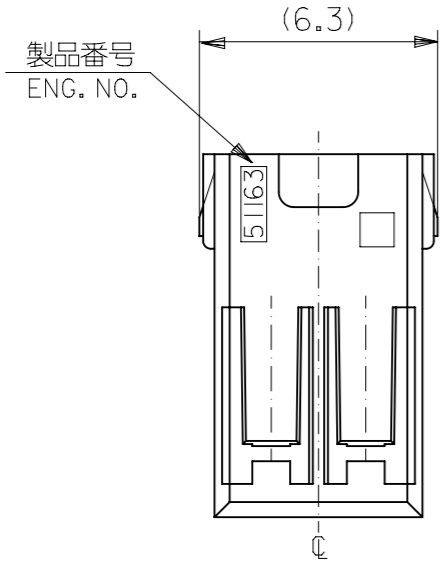
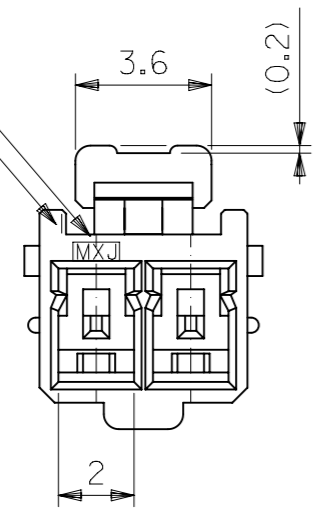
3-15 極に適用
FOR 3-15 CKTS.



							白 NATURAL	COLOR
12.5	7.4	5	36.6	38.8	35	38	51163 - 1500	15
12.5	↑	↑	34.1	36.3	32.5	35.5	↑ - 1400	14
12.5			31.6	33.8	30	33	↑ - 1300	13
12.5			29.1	31.3	27.5	30.5	↑ - 1200	12
12.5			26.6	28.8	25	28	↑ - 1100	11
12.5			24.1	26.3	22.5	25.5	↑ - 1000	10
12.5			21.6	23.8	20	23	↑ - 0900	9
12.5			19.1	21.3	17.5	20.5	↑ - 0800	8
			16.6	18.8	15	18	↑ - 0700	7
			14.1	16.3	12.5	15.5	↑ - 0600	6
			11.6	13.8	10	13	↑ - 0500	5
	7.4	5	9.1	11.3	7.5	10.5	↑ - 0400	4
	5	3	6.6	8.8	5	8	51163 - 0300	3
G	F	E	D	(C)	B	A	MATERIAL NO.	NO. OF CKT

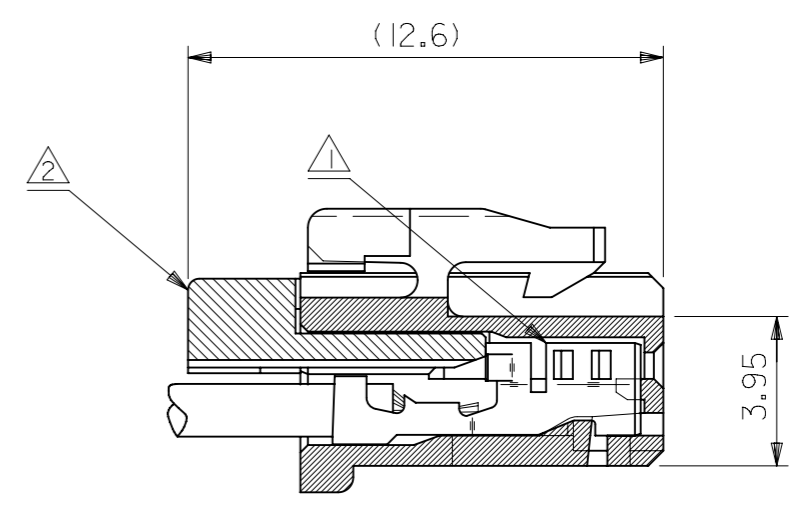
GENERAL TOLERANCES (UNLESS SPECIFIED) 10 UNDER ±0.2 10 OVER 30 UNDER ±0.25 30 OVER ±0.3		THIS DRAWING CONTAINS INFORMATION THAT IS PROPRIETARY TO MOLEX ELECTRONIC TECHNOLOGIES, LLC AND SHOULD NOT BE USED WITHOUT WRITTEN PERMISSION. DIMENSION UNITS: mm SCALE: 4:1 CURRENT REV DESC: OBSOLETE PART NO		molex 2.5 WIRE TO BORAD CONN. HOUSING (POSITIVE LOCK) WITH RETAINER	
ANGULAR ±3° DRAFT WHERE APPLICABLE MUST REMAIN WITHIN DIMENSIONS		EC NO: 629832 DRWN: VLOKESHA 2019/12/17 CHK'D: GGA 2020/01/22 APPR: GGA 2020/01/22			
MATERIAL: PBTP, UL94V-0 SEE CHART		INITIAL REVISION: DRWN: J.SASAMO 2004/08/31 APPR: N.UKITA 2004/08/31		PRODUCT CUSTOMER DRAWING DOCUMENT NUMBER: SD-51163-001 DOC TYPE: PSD DOC PART: 001 REVISION: A1	
DOCUMENT STATUS: P1 RELEASE DATE: 2020/01/22 02:36:55		THIRD ANGLE PROJECTION DRAWING: A3-SIZE SERIES: 51163		MATERIAL NUMBER: SEE TABLE CUSTOMER: GENERAL MARKET SHEET NUMBER: 1 OF 2	

トレードマーク
TRADE MARK
回路番号 1
CIRCUIT NO.1

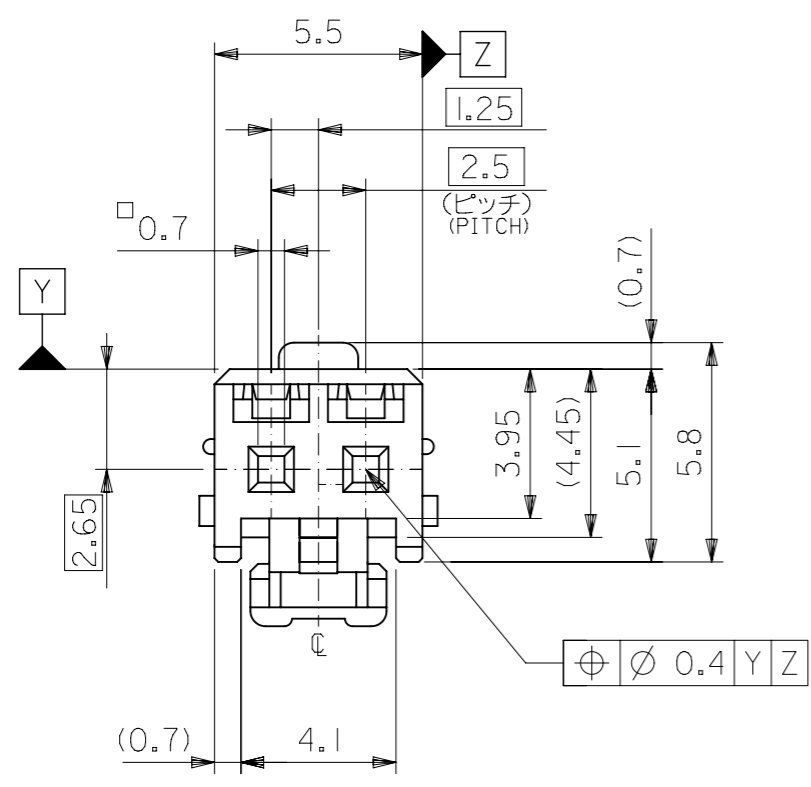


注記 NOTES

- ① 適合ターミナル : 50752-8*00
APPLICABLE TERMINAL : 50752-8*00
- ② 適合リテーナー : 51164-***05
APPLICABLE RETAINER : 51164-***05
- 3. 嵌合相手 : 53375,53426 シリーズ
MATE WITH : 53375,53426 SERIES



ターミナル及びリテーナー装着状態図
TERMINAL AND RETAINER ASSEMBLY DRAWING



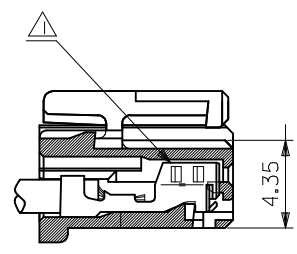
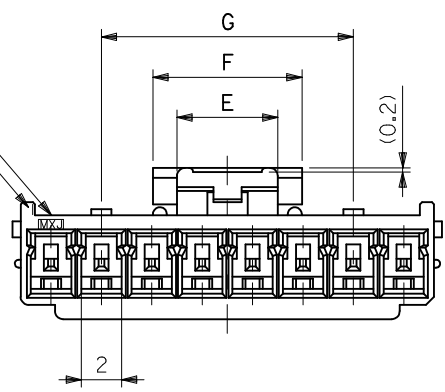
2極に適用
FOR 2 CKTS.

白 NATURAL	51163-0200	2
COLOR MATERIAL NO.	MATERIAL NO.	NO. OF CKT.

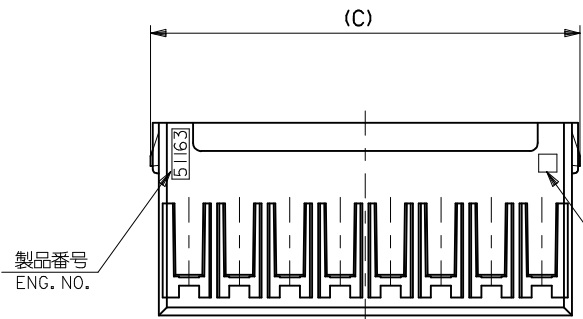
GENERAL TOLERANCES (UNLESS SPECIFIED)		THIS DRAWING CONTAINS INFORMATION THAT IS PROPRIETARY TO MOLEX ELECTRONIC TECHNOLOGIES, LLC AND SHOULD NOT BE USED WITHOUT WRITTEN PERMISSION		CURRENT REV DESC: OBSOLETE PART NO															
10 UNDER	±0.2	mm	SCALE 5:1	<table border="1"> <tr> <td colspan="2">molex</td> </tr> <tr> <td colspan="2">2.5 WIRE TO BORAD CONN. HOUSING (POSITIVE LOCK) WITH RETAINER</td> </tr> <tr> <td colspan="2">PRODUCT CUSTOMER DRAWING</td> </tr> <tr> <td>EC NO: 629832</td> <td>DRWN: VLOKESHA 2019/12/17</td> </tr> <tr> <td>CHK'D: GGA 2020/01/22</td> <td>APPR: GGA 2020/01/22</td> </tr> <tr> <td colspan="2">INITIAL REVISION:</td> </tr> <tr> <td>DRWN: J.SASAMO 2004/08/31</td> <td>APPR: N.UKITA 2004/08/31</td> </tr> </table>		molex		2.5 WIRE TO BORAD CONN. HOUSING (POSITIVE LOCK) WITH RETAINER		PRODUCT CUSTOMER DRAWING		EC NO: 629832	DRWN: VLOKESHA 2019/12/17	CHK'D: GGA 2020/01/22	APPR: GGA 2020/01/22	INITIAL REVISION:		DRWN: J.SASAMO 2004/08/31	APPR: N.UKITA 2004/08/31
molex																			
2.5 WIRE TO BORAD CONN. HOUSING (POSITIVE LOCK) WITH RETAINER																			
PRODUCT CUSTOMER DRAWING																			
EC NO: 629832	DRWN: VLOKESHA 2019/12/17																		
CHK'D: GGA 2020/01/22	APPR: GGA 2020/01/22																		
INITIAL REVISION:																			
DRWN: J.SASAMO 2004/08/31	APPR: N.UKITA 2004/08/31																		
10 OVER 30 UNDER	±0.25	GENERAL TOLERANCES (UNLESS SPECIFIED)		DOCUMENT NUMBER															
30 OVER	±0.3	4 PLACES ± 0.2	MM INCH	SD-51163-001															
ANGULAR	±3°	3 PLACES ± 0.25		DOC TYPE	DOC PART														
DRAFT WHERE APPLICABLE MUST REMAIN WITHIN DIMENSIONS		2 PLACES ± 0.3		PSD	001														
		1 PLACE ±		REVISION	A1														
		0 PLACES ±		MATERIAL NUMBER	CUSTOMER														
		ANGULAR TOL ± 3.0°		SEE TABLE	GENERAL MARKET														
		DRAFT WHERE APPLICABLE MUST REMAIN WITHIN DIMENSIONS	THIRD ANGLE PROJECTION	DRAWING	SHEET NUMBER														
				A3-SIZE	2 OF 2														
				SERIES															
				51163															

MATERIAL
PBTP, UL94V-0
SEE CHART

△
トレードマーク
TRADE MARK
回路番号 1
CIRCUIT NO.1

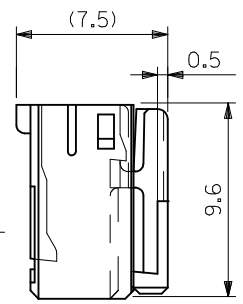


ターミナル装着状態図
TERMINAL ASSEMBLY DRAWING

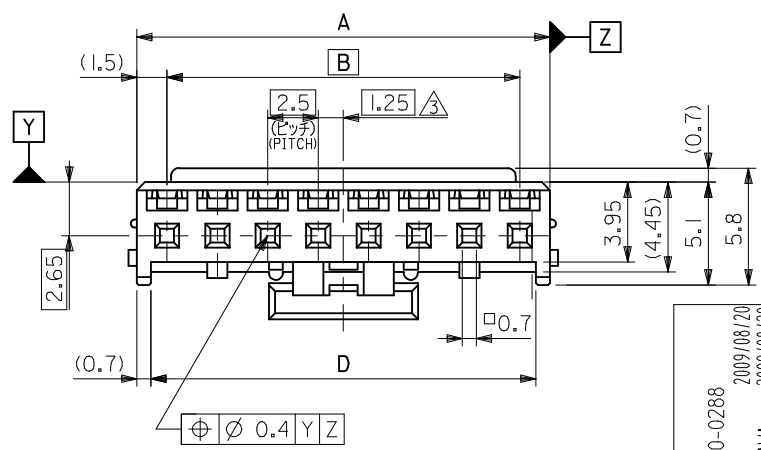


製品番号
ENG. NO.

△
キャビティー番号
及び金型番号
CAVITY NO.
AND MODEL NO.



12.5	7.4	5	36.6	38.8	35	38	51163-158*	15
↑	↑	↑	34.1	36.3	32.5	35.5	↑ -148*	14
			31.6	33.8	30	33	↑ -138*	13
			29.1	31.3	27.5	30.5	↑ -128*	12
			26.6	28.8	25	28	↑ -118*	11
			24.1	26.3	22.5	25.5	↑ -108*	10
↓			21.6	23.8	20	23	↑ -098*	9
12.5			19.1	21.3	17.5	20.5	↑ -088*	8
			16.6	18.8	15	18	↑ -078*	7
			14.1	16.3	12.5	15.5	↑ -068*	6
			11.6	13.8	10	13	↑ -058*	5
	7.4	5	9.1	11.3	7.5	10.5	↑ -048*	4
	5	3	6.6	8.8	5	8	↑ 51163-038*	3
G	F	E	D	(C)	B	A	MATERIAL AND ORDER No. △	CIRCUIT No.



REVISED
EC NO: J2010-0288
DRWN: YG010 2009/08/20
CHKD: KASAKAWA 2009/08/20
APPR: NUKITA 2009/08/24

DESCRIPTION
GENERAL TOLERANCES (UNLESS SPECIFIED)
10 UNDER ±0.2
10 OVER 30 UNDER ±0.25
30 OVER ±0.3
ANGULAR ±3 °
DRAFT WHERE APPLICABLE MUST REMAIN WITHIN DIMENSIONS

DIMENSION STYLE
MM ONLY
DRAWN BY K. HARADA DATE 1997/10/2
CHECKED BY T. ITO DATE 1997/11/12
APPROVED BY M. FUKUSHIMA DATE 1997/11/12
MATERIAL NO.
ENTER PART

SCALE 4:1
DESIGN UNITS METRIC
THIRD ANGLE PROJECTION
TITLE 2.5 W/B CONN HSG (POSITIVE LOCK)
MOLEX MOLEX INCORPORATED
DOCUMENT NO. SD-51163-**-00 SHEET NO. 1 OF 2
THIS DRAWING CONTAINS INFORMATION THAT IS PROPRIETARY TO MOLEX INCORPORATED AND SHOULD NOT BE USED WITHOUT WRITTEN PERMISSION

注記 NOTES

- △1 適合ターミナル：5035I-8*00
APPLICABLE TERMINAL : 5035I-8*00
- 2. 嵌合相手：53375,53426 シリーズ
MATE WITH : 53375,53426 SERIES
- △3 偶数極の製品に適用。
APPLY EVEN CIRCUIT PRODUCTS.
- △4 トレードマーク：Mプラス 1 ~ 2 文字のアルファベットにて構成。(例 MXJ)
但し "J" は JAPAN を示す。
FORMED BY M AND 1 ~ 2 MORE LETTER OF ALPHABET (e.g. MXJ)
(TO TRADE MARK), BUT "J" SHOW JAPAN.
- △5 キャビティー番号：1桁~2桁の数字
金型番号：アルファベット1文字にて構成。(例, 1A, 10B)
FORMED BY 1 DIGIT TO 2 DIGIT NUMBERS (TO CAVITY
NO.) AND BY 1 LETTER OF ALPHABET (TO MOLD NO.).
(e.g. 1A, 10B)
- △6 MATERIAL AND ORDER No.
51163-**00
極数
CIRCUIT SIZE
- 7. 材料:PBT, UL 94V-0
- 8. 色:白 WHITE (NATURAL)



REVISED EC NO: C	2009/08/20 DRWN:Y.GOTO CHKD:KASAKAWA APPR:	DESCRIPTION REV	GENERAL TOLERANCES (UNLESS SPECIFIED)		DIMENSION STYLE MM ONLY	SCALE 4:1	DESIGN UNITS METRIC	THIRD ANGLE PROJECTION		
			10 UNDER ±0.2	10 OVER 30 UNDER ±0.25	DRAWN BY K. HARADA	DATE 1997/10/2	TITLE 2.5 W/B CONN HSG (POSITIVE LOCK)			
			30 OVER ±0.3	ANGULAR ±3 °	CHECKED BY T. ITO	DATE 1997/11/12	APPROVED BY M. FUKUSHIMA 1997/11/12			
			DRAFT WHERE APPLICABLE MUST REMAIN WITHIN DIMENSIONS		ENTER PART		MATERIAL NO.		DOCUMENT NO.	
		SIZE A3	THIS DRAWING CONTAINS INFORMATION THAT IS PROPRIETARY TO MOLEX INCORPORATED AND SHOULD NOT BE USED WITHOUT WRITTEN PERMISSION							