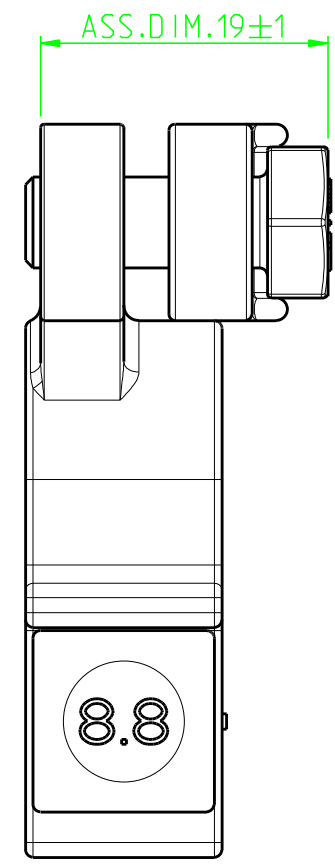
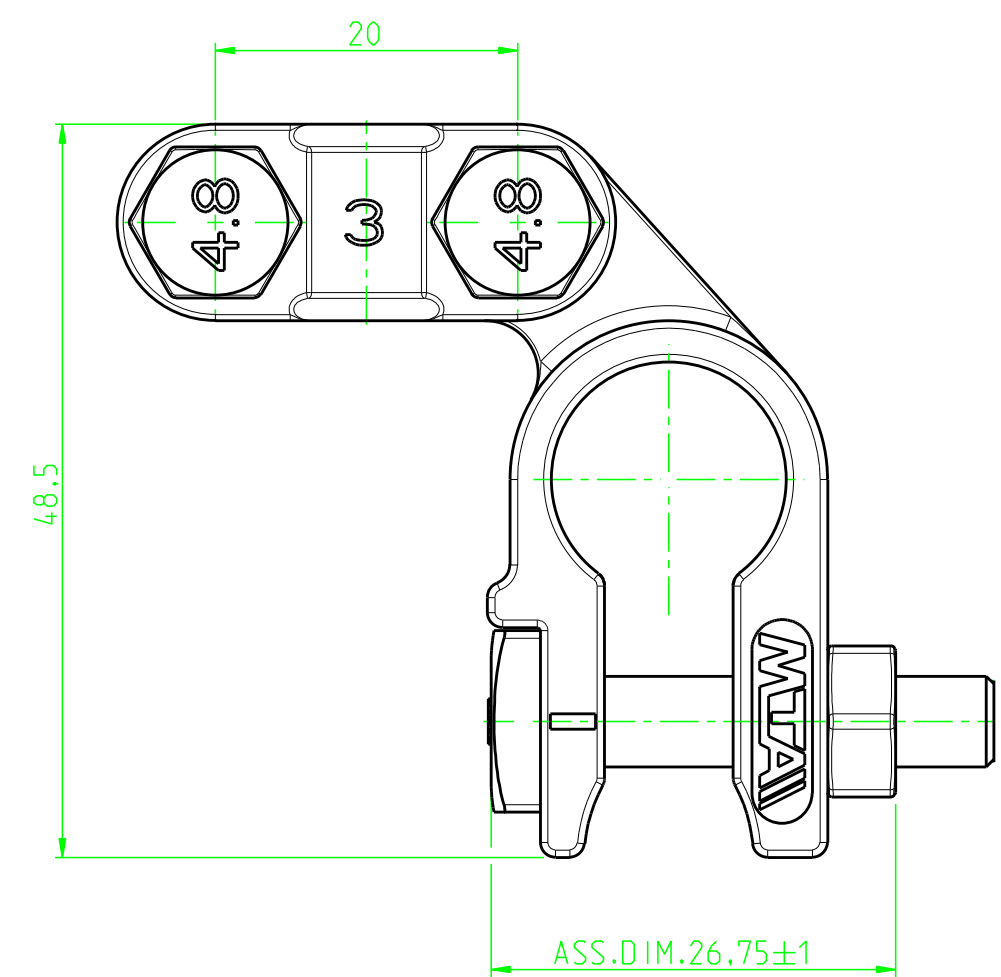
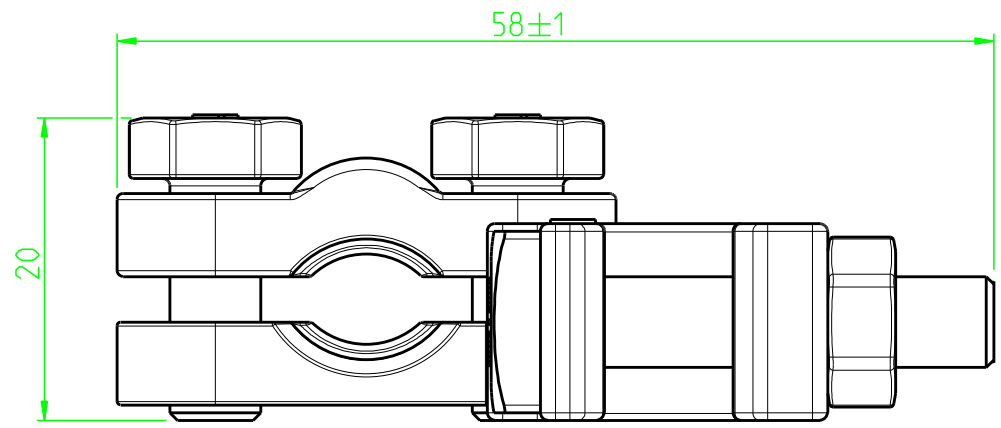
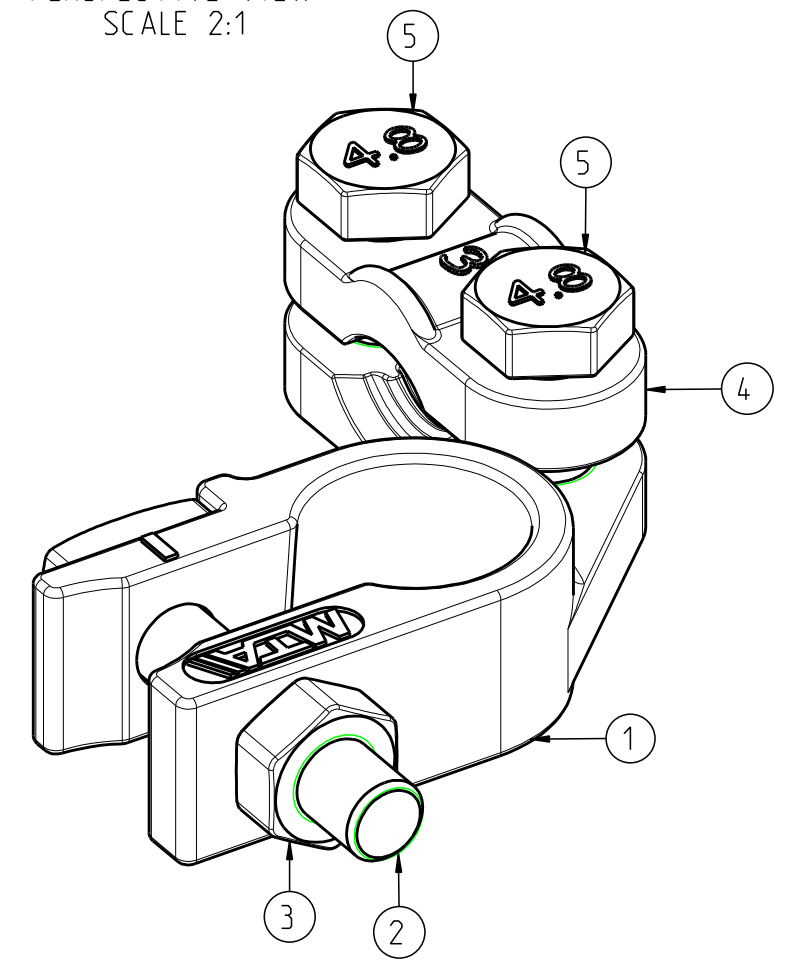


All proprietary rights reserved by MIA S.p.A. - This drawing shall not be reproduced, or in any way utilized, for the manufacture of the component or unit herein illustrated and must not be released to other parties, without written consent. Any infringement will be legally pursued.



UNCONTROLLED COPY
 in case of drawing updating/revision
 NO AUTOMATIC
 resubmission will follow

PERSPECTIVE VIEW
SCALE 2:1



OPERATING FEATURES		
FEATURE	UNIT	VALUE
T.MIN - T.MAX	°C	-40 / +120
RATED CURRENT	A	200
TIGHTENING TORQUE M6 Pos.3	Nm	3.6 ±20%
TIGHTENING TORQUE M6 Pos.5	Nm	3.6 ±20%

POS.	Q.TY	DENOMINATION	MATERIAL
5	2	M6x16 SCREW	STEEL 4.8 CLASS Zn 7 μ Cr6 FREE
4	1	CABLE LOCKER	CuZn DELTA C ALLOY
3	1	M6 NUT	STEEL 6S CLASS Zn 7 μ Cr6 FREE
2	1	M6x30 SCREW	STEEL 8.8 CLASS Zn 7 μ Cr6 FREE
1	1	BATTERY TERMINAL	CuZn DELTA C ALLOY

MTA	MTA P/N	1506110/10	Denom.			BATTERY TERMINAL DIE-CAST NEG
	Draw No.	B0-249.063A	Used for			CABLES from 25 to 50 mmq
Rel. Level	Approved	Draw for	CLIENT	Relevant Standard -		
	Date	Name	Scale	Weight(g)	Lin.Tol.±	Ang.Tol.±
Draft.	01.12.08	P.BALORDI	1:1	85	0.5	2
Chk	08.01.09	I.MASSARI	A3		Dimensions in (mm)	Sheet 1/1
PQApp	22.01.09	R.GONZALEZ				
App.	22.01.09	M.CORBANI	Material			SEE TABLE
			Coating			SEE TABLE
			Color			SEE TABLE

No.	Reason for Revision	Date	Name
0	-	-	-