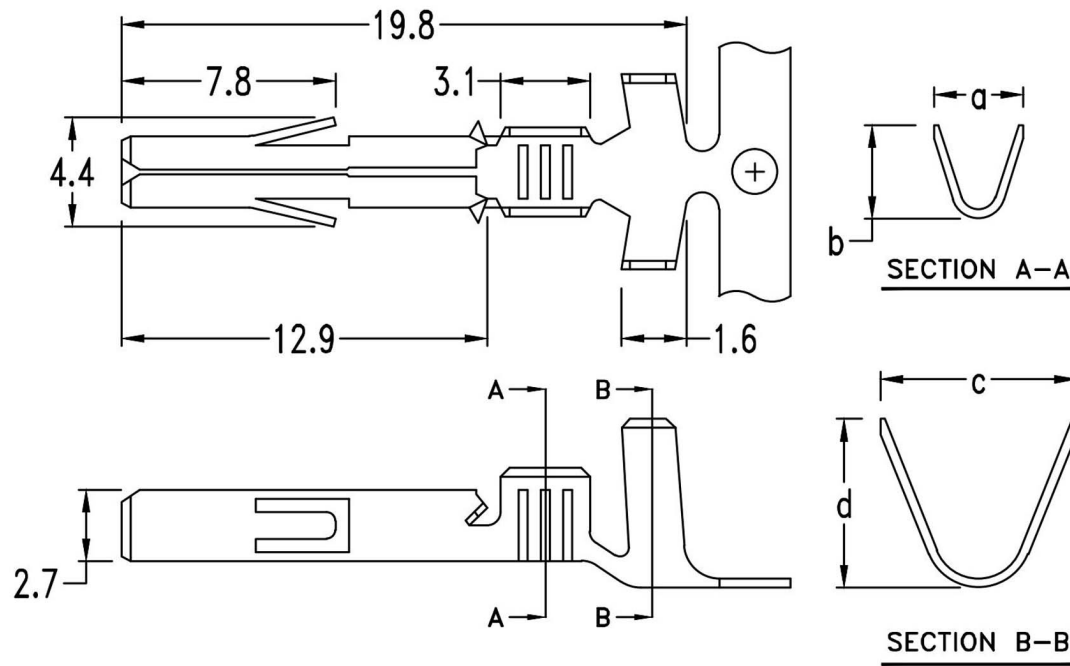


Ordering & Dimensional Information ( mm )

Part No.	Dimension				Wire range	Material	Thickness	Finished
	a	b	c	d				
T6350-TBD00001R	2.4	2.4	3.4	3.4	#18 ~ #22	Brass	0.3mm	Tin-plated
T6350-TBR00001R	2.9	3.5	4.5±0.4	4.5±0.4	#16 ~ #20			



Features / Specifications:

- Current rating: 13A
- Voltage rating: 600V
- Ambient temperature range: -55°C ~ 105°C

RoHS Compliant		<b>HSM</b> 玄茂科技股份有限公司 HSUAN MAO TECHNOLOGY CO., LTD.	
APPD. 核准		TOLERANCE .000 ± 0.05 ( mm ) .00 ± 0.15 ( mm ) .0 ± 0.25 ( mm )	PART NAME 品名 6.35mm TERMINAL FEMALE BRASS TIN PLATED 18~22AWG DISTANCE OF EACH TERMINAL=11mm ROHS
DWG. 製圖	Betty	SCALE 比例 參考	PART NO. 料號 T6350-TB(D,R)00001R
DATE 制表日 2018/09/20	PAGE 張數 1 OF 1	UNIT 單位 MM	REV. 版次 A