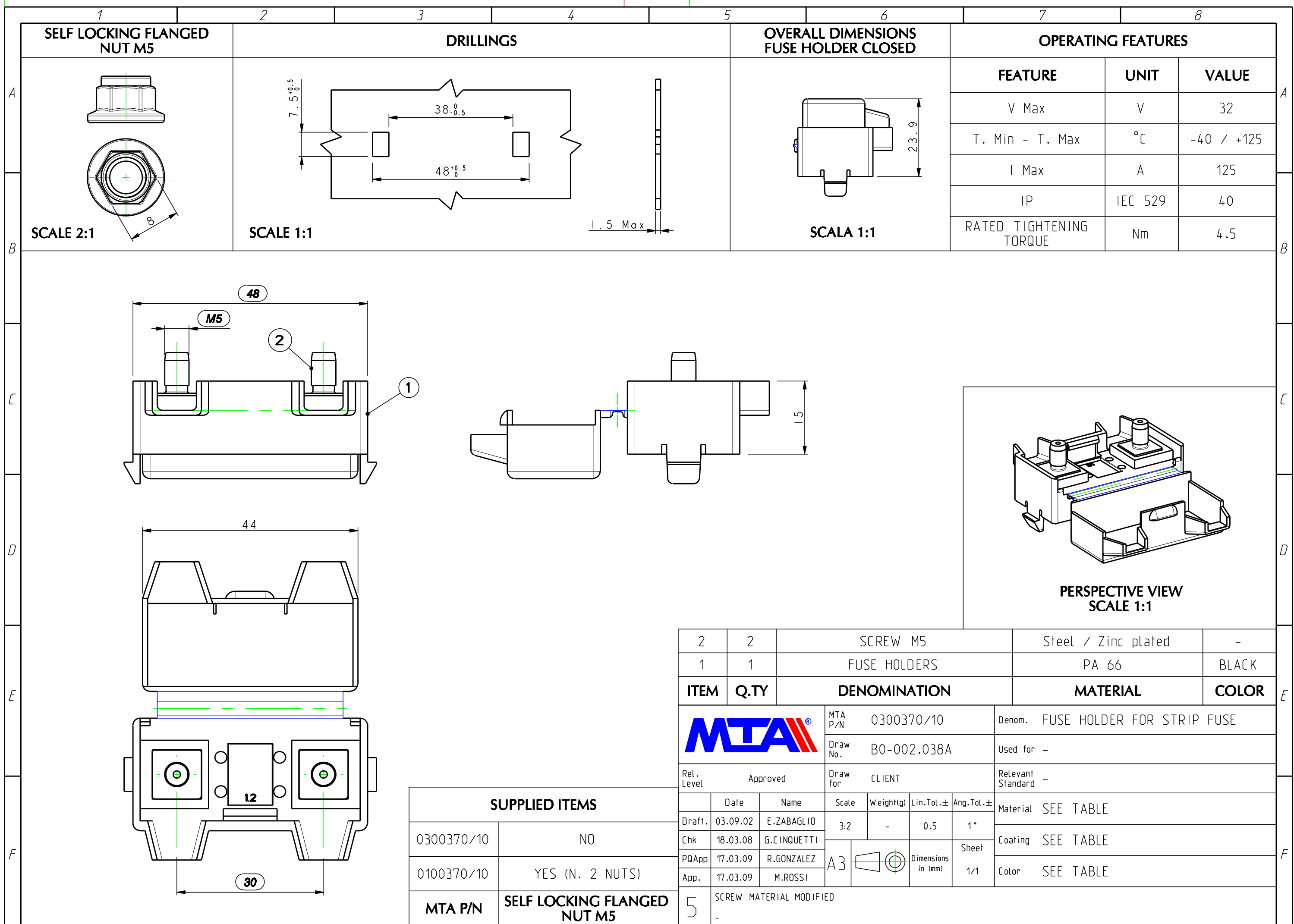


All proprietary rights reserved by MIA S.p.A. - This drawing shall not be reproduced, or in any way utilized, for the manufacture of the component or unit herein illustrated and must not be released to other parties, without written consent. Any infringement will be legally pursued.



OPERATING FEATURES		
FEATURE	UNIT	VALUE
V Max	V	32
T. Min - T. Max	°C	-40 / +125
I Max	A	125
IP	IEC 529	40
RATED TIGHTENING TORQUE	Nm	4.5

ITEM	Q.TY	DENOMINATION	MATERIAL	COLOR
2	2	SCREW M5	Steel / Zinc plated	-
1	1	FUSE HOLDERS	PA 66	BLACK

<b>MTA</b>	MTA P/N	0300370/10	Denom.	FUSE HOLDER FOR STRIP FUSE	
	Draw No.	B0-002.038A	Used for	-	
Rel. Level	Approved	Draw for	CLIENT	Relevant Standard	-

SUPPLIED ITEMS	
MTA P/N	SELF LOCKING FLANGED NUT M5
0300370/10	NO
0100370/10	YES (N. 2 NUTS)

No.	Date	Name	Scale	Weight(g)	Lin.Tol.±	Ang.Tol.±	Material	SEE TABLE
Draft.	03.09.02	E.ZABAGLIO	3:2	-	0.5	1°	Material	SEE TABLE
Chk	18.03.08	G.CINQUETTI	A3			Sheet 1/1	Coating	SEE TABLE
PQApp	17.03.09	R.GONZALEZ					Color	SEE TABLE
App.	17.03.09	M.ROSSI						

No.	Reason for Revision	Date	Name
5	SCREW MATERIAL MODIFIED	18.03.08	M.VIGNATI