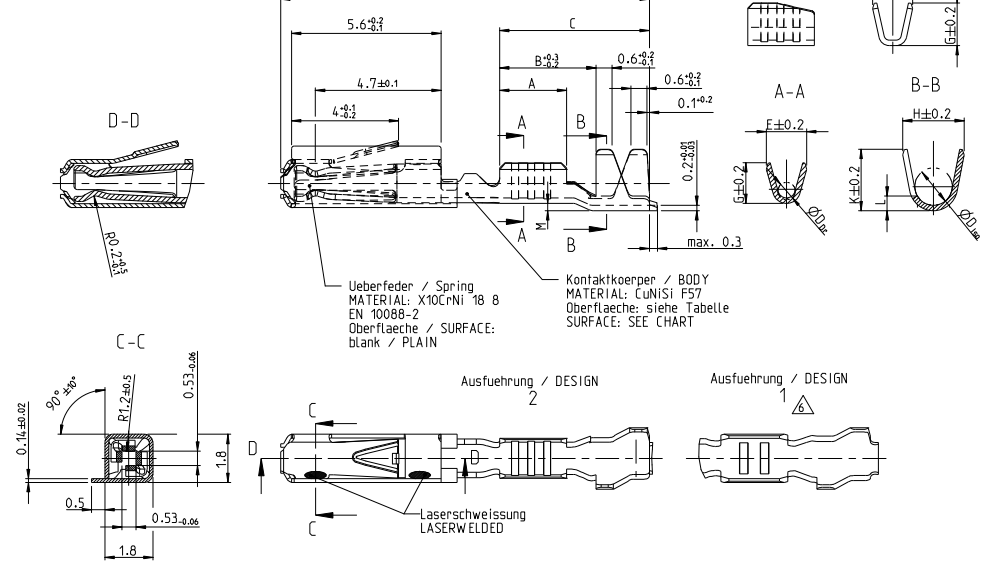
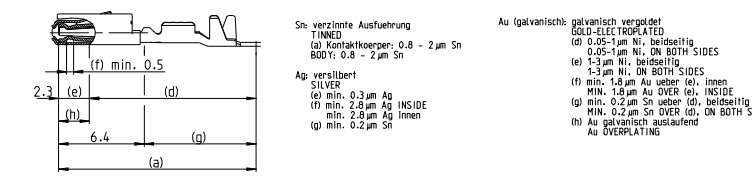


Normale Anwendung USUAL APPLICATION

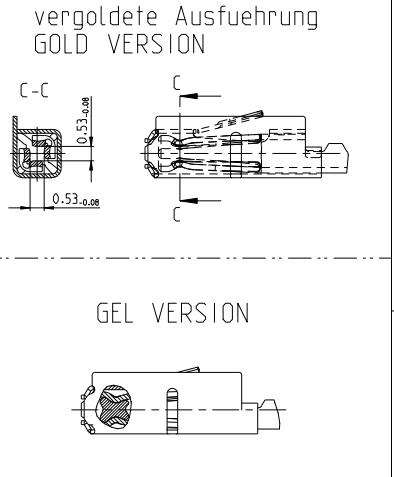
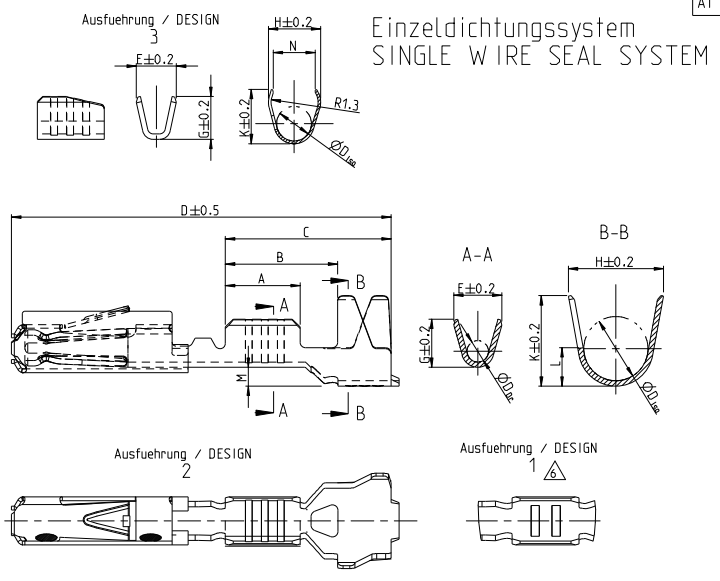


Oberflaeche / FINISH



6-965906-5	E	1-965906-5	D	0.50-0.75	Au+Gel A = 2.8 B = 4.2 C = 6.2 D = 14.3 M = 0.7	E = 2 G = 2.1 Dr = 1	H = 3.5 K = 3.4 L = 1.5 D Iso = 2.4	0.13	0.75	1.4-1.9	967067-1 gruen GREEN	963142-1 schwarz BLACK	967056-1 blau / BLUE	967056-1 blau / BLUE
5-965906-6	D	965906-6	C											
5-965906-5	E	965906-5	D	0.25-0.35	Au A = 2.5 B = 3.9 C = 5.9 D = 14 M = 0.7	E = 1.8 G = 1.8 Dr = 0.8	H = 3.5 K = 3.4 L = 1.5 D Iso = 2.4	0.13	0.35	0.9-1.4	967067-2 gelb YELLOW	963142-2 grau GREY	967056-1 blau / BLUE	967056-1 blau / BLUE
5-965906-1	D	965906-1	C											
5-962885-6	J	962885-6	H	0.13 / 0.17	Au A = 2.5 B = 4.3 C = 6.2 D = 13.7 M = 0.6	E = 1.5 G = 1.4	H = 4 K = 4.1 L = 3.1 D Iso = 2.6	0.1	0.13	0.85-1.25	967067-2 gelb YELLOW	963142-2 grau GREY	967056-1 blau / BLUE	967056-1 blau / BLUE
5-962885-5	K	962885-5	J											
5-962885-1	J	962885-1	H											
2141826-6	A													
2141826-5	A													
2141826-1	A													
6-963715-5	K	1-963715-5	J	0.50-0.75	Au+Gel A = 2.8 B = 3.8 C = 5.6 D = 13.7 M = 0.2	E = 2 G = 2.1 Dr = 1	H = 2.7 K = 2.9 L = 0.7 D Iso = 1.6	0.11	0.50-0.75					
5-963715-6	J	963715-6	H											
5-963715-5	K	963715-5	J											
5-963715-1	J	963715-1	H											
6-928999-5	T	1-928999-5	S	0.25-0.35	Au+Gel A = 2.5 B = 3.6 C = 5.6 D = 13.7 M = 0.2	E = 1.8 G = 1.8 Dr = 0.8	H = 2.3 K = 2.3 L = 0.6 D Iso = 1.4	0.11	0.25-0.35					
5-928999-6	T	928999-6	R											
5-928999-5	S	928999-5	S											
5-928999-1	S	928999-1	R											
2141824-6	A			0.13 / 0.17	Au A = 2.5 B = 3.7 C = 5.4 D = 13.7 M = 0	E = 1.5 G = 1.4	H = 2 K = 1.9 D Iso = 1.1	0.1	0.13					
2141824-5	A													
2141824-1	A													
1355717-5	C			0.08-0.22	Au A = 2.5 B = 3.7 C = 5.4 D = 13.7 M = 0	E = 1.5 G = 1.5 Dr = 0.65	H = 2 K = 2 D Iso = 1.1	0.1	0.08-0.22					
1355717-1	C													

Bestell-Nr. Ausfuehrung ORDER NO. DESIGN 2	Bestell-Nr. Ausfuehrung ORDER NO. DESIGN 3	Rev	Bestell-Nr. Ausfuehrung ORDER NO. DESIGN 1	Rev	VERSION	DGB Wire Size Range mm ²	Oberflaeche SURFACE	Laenge LENGTH mm	Drahtcrimp WIRE CRIMP mm	Iso-crimp INSU-CRIMP mm	Gewicht WEIGHT g	Verarbeitung Spez. APPLICATION SPEC.	Wire Size Range mm ²	Isolations Ø INSULATIN DIA. mm	fuer Kammer Ø3.45 FOR CAVITY DIA. 3.45 mm	Blindstopfen Ø4 RUBBER PLUG	fuer Kammer Ø4 FOR CAVITY DIA. 4 mm	Blindstopfen Ø4 RUBBER PLUG
zugehoerige Einzeldichtung / SUITABLE SINGLE WIRE SEAL																		



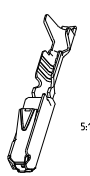
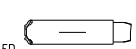
Einzeldichtungssystem SINGLE WIRE SEAL SYSTEM

REVISONS	DESCRIPTION	DATE	OWN	APPD
15	DIM. (h) ADDED. ECR-16-007815	31MAY2016	ABR	BRUN
16	Stamp code faded out	04AUG2016	MAH	BRUN
17	Date code removed. ECR-16-012667	23AUG2016	ABR	BRUN
18	Text for NOTE 5 removed	2NOV2017	MAH	BRUN

- Bemerkungen
- Datumscode (Woche/Jahr z.B. KW 38/Jahr2009) und TE-Revision (z.B. Rev.A) DATE CODE (WEEK/YEAR E.G. WEEK NUMBER 38/YEAR2009) AND TE REVISION (E.G. REV. A)
 - Passend zu Stiftkontakt siehe Zeichnung 929453 SUITABLE FOR PIN CONTACT SEE DRAWING 929453
 - Einzelheiten der Ausfuehrung bleiben dem Hersteller ueberlassen DETAILS OF DESIGN ARE LEFT TO MANUFACTURER
 - Nur fuer FLR-Leitung nach DIN 72551 Teil 6 FOR FLR-CONDUCTOR ACCORDING TO DIN 72551-6 ONLY



- nicht fuer Neuanwendung NOT FOR NEW APPLICATION
- zugestaerkte Leitung nach LV 112-4 REINFORCED WIRE ACCORDING LV 112-4
- Bei doppelt fallenden Werkzeugen wird die erste Ueberfeder mit einer Kennzeichnung "-" versehen WITH DOUBLE OUT DIES THE FIRST SPRING WILL BE PROVIDED WITH AN INDICATION "-"



THIS DRAWING IS A CONTROLLED DOCUMENT.		SW: Garcia	05JAN1999	TE Connectivity
DIMENSIONS: mm		CS: Garcia	05JAN1999	
MATERIAL: -		APPRO: R. Reichter	13AUG2003	MGS Tabellenzeichnung Buchsenkontakt TABLE SOCKET CONTACT
FINISH: -		PRODUCT SPEC: 108-18030	APPLICATION SPEC: 114-18021 / 114-18025	
CUSTOMER DRAWING		SIZE: A1	CAGE CODE: 00779	DRWING NO: 929454
SCALE: 10:1		SHEET: 1 of 1		REV: 18