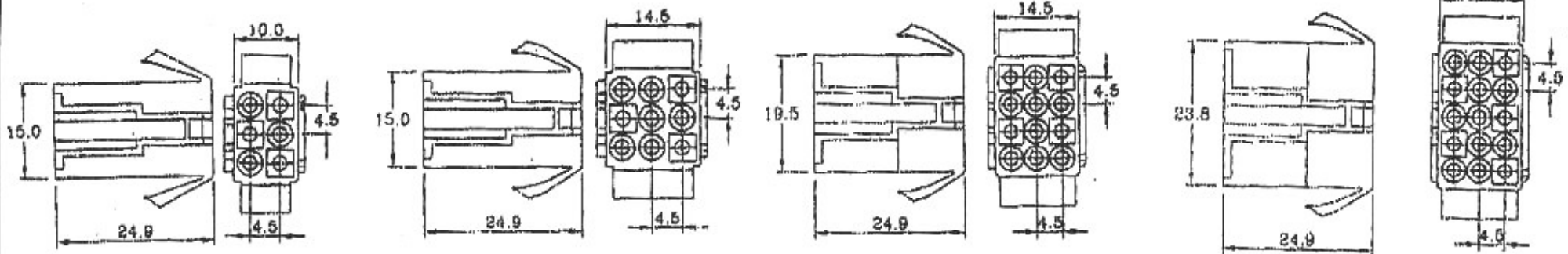


H1030-02PSBW00  
Q' TY:1000PCS/BAG

H1030-03PSBW00  
Q' TY:500PCS/BAG

H1030-04PSBW00  
Q' TY:500PCS/BAG

H1030-04PDBW00  
Q' TY:500PCS/BAG



H1030-06PDBW00  
Q' TY:500PCS/BAG

H1030-09PTBW00  
Q' TY:300PCS/BAG

H1030-12PTDW00  
Q' TY:300PCS/BAG

H1030-15PTDW00  
Q' TY:300PCS/BAG

玄茂科技股份有限公司  
HSUAN MAO TECHNOLOGY CO., LTD.

UNIT

SCALE

PART NAME

MM

2:1

4.5mm 1.3 $\phi$  HOUSING  
W/BEVEL EAR(FEMALE)

制表日:2002/07/18

DRAWING.

APPROVED

APPD.

CKD.

TOLERANCE

PART NO.

REV.

Jane

$\pm 0.2$

H1030-XXPBW00

A