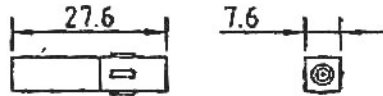


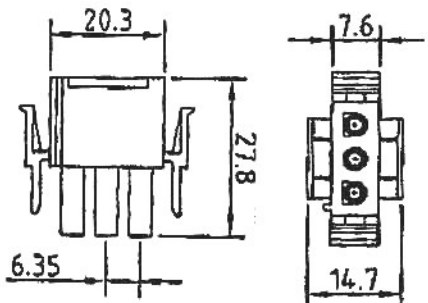
1 2 3 4 5 6 7 8

A

H6350-01PSW0000



H6350-03PSW0000



SPECIFICATION

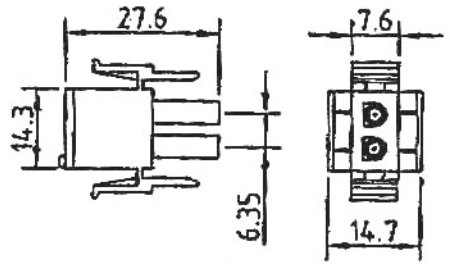
Pitch Between Poles: 6.35mm  
 Current Rating: 13A  
 Voltage Rating: 600V  
 Contact Resistance: 5MΩ (Max)  
 Insulation Resistance: 1000M Ω Min.  
 Withstand Voltage: 1500V AC / 1 Minute.  
 Temperature Range: -25 °C to +85 °C  
 Applicable Wire: AWG#14 to #20

B

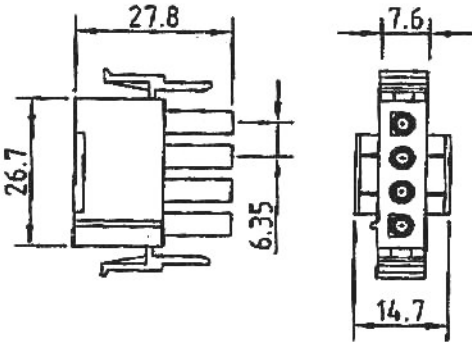
C

D

H6350-02PSW0000



H6350-04PSW0000



FEATURES

Available Number Of Circuits: 1 to 15  
 Material: Nylon 66, UL94V-2  
 Accepts: T6350 Crimp Terminal  
 Mates: H6351 Series

E

F

G

玄茂科技股份有限公司  
 HSUAN MAO TECHNOLOGY CO., LTD.

UNIT		SCALE	PART NAME	
MM		2:1	6.35mm Pitch Wire to Wire Male Housing(1*1、1*2、1*3、1*4)	
APPD.	CKD.	TOLERANCE	PART NO.	REV.
		± 0.5	H6350-XXPSW000	A

H

制表日: 2002/12/04  
 DRAWING. Jane  
 APPROVED

1 2 3 4 5 6 7 8