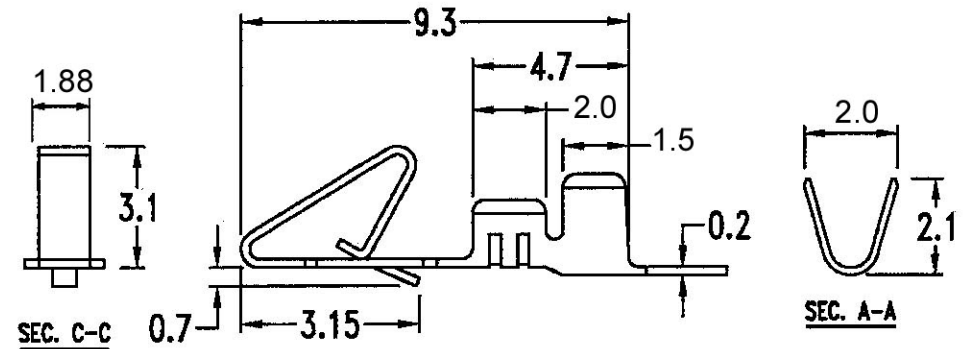
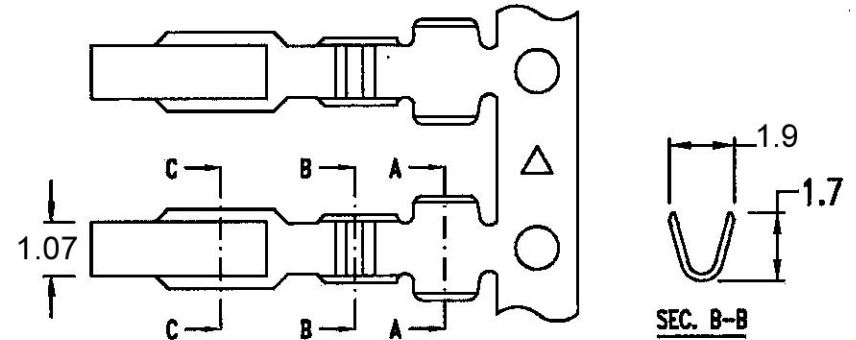


Features:

- Material: Brass
- Tin-plated (Lead free)
- Wire range: AWG #22 ~ #26

Specification:

- Current rating: 3A
- Voltage rating: 250V AC, DC Max.
- Contact resistance: 20mΩ Max.
- Engagement force: 500g Max. with tin-plated .025"(0.64mm) square pin
- Disengagement Force: 87g Min. for first cycle with tin-plated .025"(0.64mm) square pin
- Terminal retention force: 1.5Kg Min.
- Crimp strength: #22 4.0 Kg Min.
#24 3.0 Kg Min.
#26 2.0 Kg Min.
- Ambient temperature range: -40°C ~ 105°C



RoHS Compliant		HSM 玄茂科技股份有限公司 HSUAN MAO TECHNOLOGY CO., LTD.	
APPD. 核准 Ivy	SCALE 比例 参考	TOLERANCE 容許公差 0 ± .00 ± ANG ±	PART NAME 品名 MX2.5mm TERMINAL BRASS MATERIAL TIN PLATING AWG22-26 ROHS 10K/REEL
DWG. 製圖 Yumi	UNIT 單位 MM	SIZE 線徑尺寸 A4	PART NO. 料號 T2630-TBI00000R
DATE 制表日 2009/08/05	PAGE 張數 1 OF 1	REV. 版本 B	