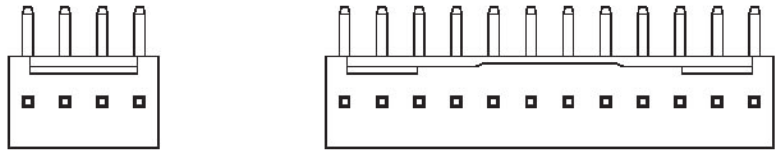


1 2 3 4 5 6 7 8

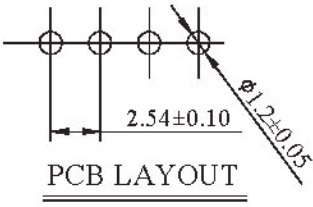
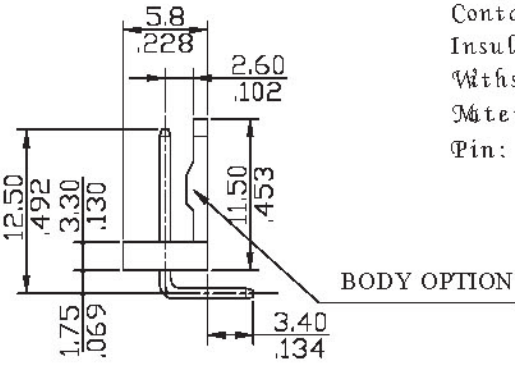
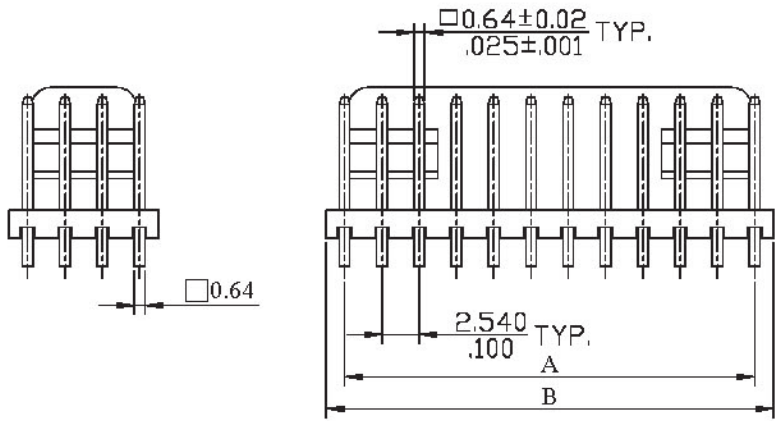
A



SPECIFICATION
 Current Rating: 2A AC, DC
 Voltage Rating: 250V AC, DC
 Temperature Range: -25°C ~+85°C
 Contact Resistance: 20 m ohms Max.
 Insulation Resistance: 1,000Mohms Min.
 Withstanding Voltage: 1,500V AC/minute.
 Material: Nylon 66, U94V-2
 Pin: Brass

A

B



2 THROUGH 5
CIRCUITS

6 THROUGH 20
CIRCUITS

Poles	Dimension	
	A	B
2	2.54	5.12
3	5.08	7.66
4	7.62	10.20
5	10.16	12.74
6	12.70	15.30
7	15.24	17.94
8	17.78	20.48
9	20.32	23.02
10	22.86	25.58
11	25.40	28.12
12	27.94	30.68
13	30.48	33.10
14	33.02	35.80
15	35.56	38.34
16	38.10	40.94
17	40.64	43.30
18	43.18	45.90
19	45.72	48.56
20	48.26	50.80

B

C

C

D

D

E

E

ORDER INFORMATION

Contact No.	Contact Type	Function	Body Option	Contact Plating	Insulator Color
W2600 — <input type="text" value="20"/> <small>02-20</small>	<input type="text" value="P"/> <small>P: Non Distribution</small>	<input type="text" value="R"/> <small>R: Right Angle</small>	<input type="text" value="Y"/> <small>Y: W/Back N: W/O Back</small>	<input type="text" value="T"/> <small>T: Tin S: Select Gold G: Gold Flash</small>	<input type="text" value="W"/> <small>W: White</small>

B

G

G

玄茂科技股份有限公司
HSUAN MAO TECHNOLOGY CO., LTD.

UNIT		SCALE	PART NAME	
MM INCH		2:1	MX2.54mm WAFER 90°	
APPD.	CKD.	TOLERANCE	PART NO.	REV.
		±0.5	W2600-XXPRXXW0	A

H

H

制表日: 2002/12/04	DRAWING.	APPROVED
	Jane	

1 2 3 4 5 6 7 8