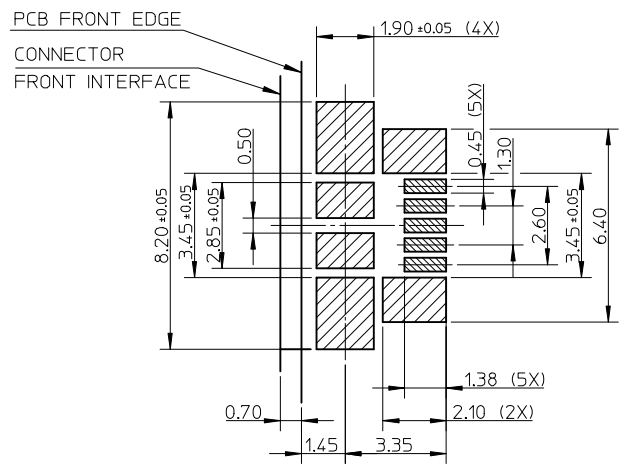


5	GND
4	ID
3	D+
2	D-
1	VBUS
PIN	NAME
PIN ASSIGNMENT	

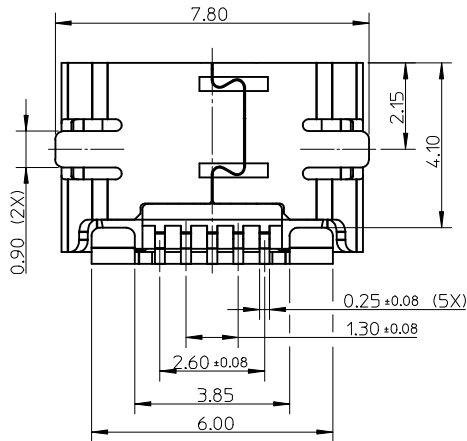
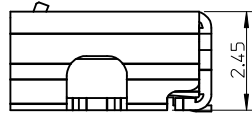
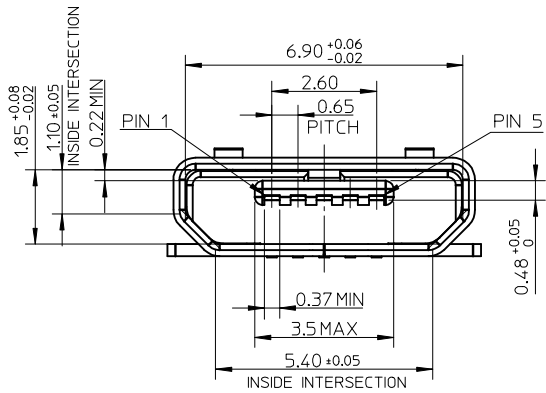
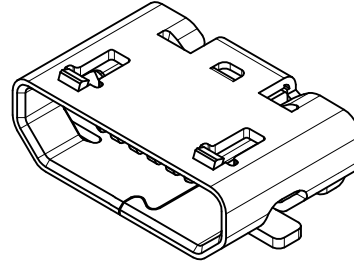
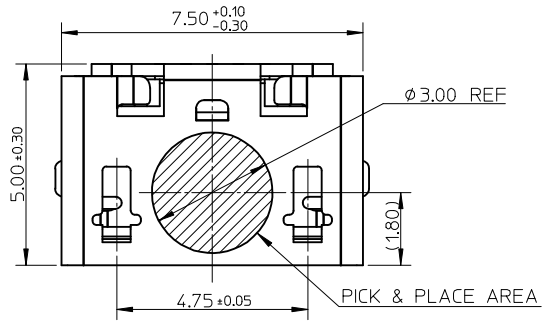
NOTES:

- MATERIAL:
HOUSING: LCP, BLACK, UL94V-0;
TERMINAL: COPPER ALLOY, THICKNESS: 0.15mm;
SHELL: STAINLESS STEEL, THICKNESS: 0.30mm.
- PLATING:
TERMINAL:
CONTACT AREA: GOLD FLASH OVER MINIMUM 0.75MICRON Pd/Ni;
SOLDER TAIL AREA: GOLD FLASH;
UNDER PLATING: NICKEL 2.0MICRON MINIMUM.
SHELL:
MATTE TIN 3.8MICRON MINIMUM;
UNDER PLATING: NICKEL 1.27MICRON MINIMUM.
- TAIL & NAIL COPLANARITY 0.08mm MAXIMUM.
- PRODUCT SPECIFICATION: PS-47346-001.
- PACKAGE SPECIFICATION: PK-47346-001.
- COMPLIANT TO RoHS DIRECTIVE 2002/95/EC AND ELV 2000/53/EC.



RECOMMENDED P.C.B. PATTERN LAYOUT
GENERAL TOLERANCE: ±0.05

ADD PIN ASSIGNMENT EC NO: SH2014-0097 DRWN: XQZHANG 2013/09/02 CH'KD: XQZHANG 2013/09/02 APPR: AYTN 2013/09/03	QUALITY SYMBOLS ▽=0 ▽=0 ▽=0	GENERAL TOLERANCES (UNLESS SPECIFIED)		DIMENSION STYLE MM ONLY		SCALE 8:1	DESIGN UNITS METRIC	THIRD ANGLE PROJECTION			
		4 PLACES ± --- ± ---	3 PLACES ± --- ± ---	2 PLACES ± 0.25 ± ---	1 PLACE ± 0.25 ± ---	0 PLACE ± ±	DRAWN BY XJSONG	DATE 2006/12/11	TITLE MICRO USB B REC. BOTTOM MOUNT ASS'Y		
		ANGULAR ± 3 °					CHECKED BY IWANG	DATE 2006/12/11	MATERIAL NO. 47346-0001		
		DRAFT WHERE APPLICABLE MUST REMAIN WITHIN DIMENSIONS					APPROVED BY JNCHEN	DATE 2006/12/11	DOCUMENT NO. SD-47346-001		SHEET NO. 1 OF 2
THIS DRAWING CONTAINS INFORMATION THAT IS PROPRIETARY TO MOLEX INCORPORATED AND SHOULD NOT BE USED WITHOUT WRITTEN PERMISSION											



SEE SHEET 1 EC NO: SH2014-0097 DRWN: XQZHANG 2013/09/02 CHKD: XQZHANG 2013/09/02 APPR: AYIN 2013/09/03	REV	DESCRIPTION	QUALITY SYMBOLS	GENERAL TOLERANCES (UNLESS SPECIFIED)	DIMENSION STYLE	SCALE	DESIGN UNITS	THIRD ANGLE PROJECTION		
					MM ONLY	8:1	METRIC			
			▽ _F =0	mm INCH	DRAWN BY	DATE	TITLE	MICRO USB B REC. BOTTOM MOUNT ASS'Y FLANGELESS TYPE molex		
			4 PLACES ± --- ± ---	XJSONG	2006/12/11					
			3 PLACES ± --- ± ---	CHECKED BY	DATE					
			2 PLACES ± 0.25 ± ---	IWANG	2006/12/11					
			▽ _F =0	1 PLACE ± 0.25 ± ---	APPROVED BY	DATE				
			▽ _F =0	0 PLACE ± ±	JNCHEN	2006/12/11				
				ANGULAR ± 3°	MATERIAL NO.	DOCUMENT NO.				
				DRAFT WHERE APPLICABLE MUST REMAIN WITHIN DIMENSIONS	47346-1001	SD-47346-001				
					SIZE A3	THIS DRAWING CONTAINS INFORMATION THAT IS PROPRIETARY TO MOLEX INCORPORATED AND SHOULD NOT BE USED WITHOUT WRITTEN PERMISSION		SHEET NO. 2 OF 2		