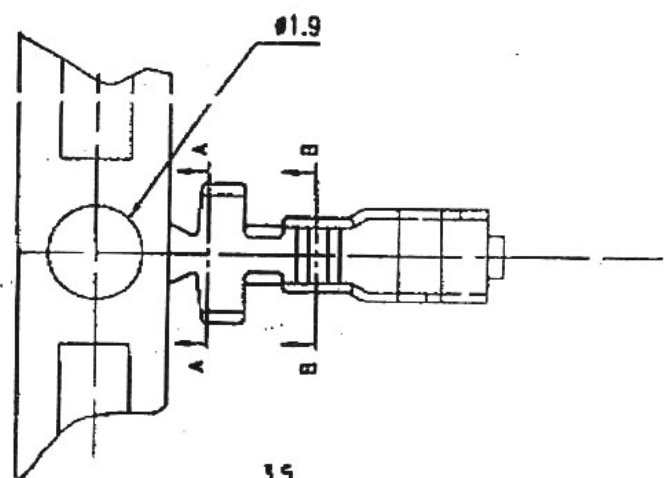


1 2 3 4 5 6 7 8

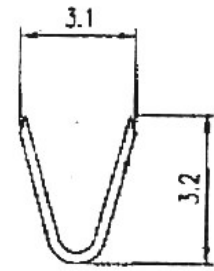
A  
B  
C  
D  
E  
F  
G  
H

A  
B  
C  
D  
E  
F  
G  
H

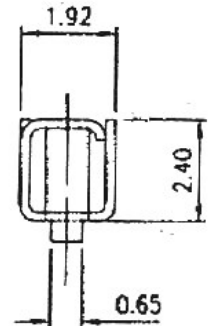
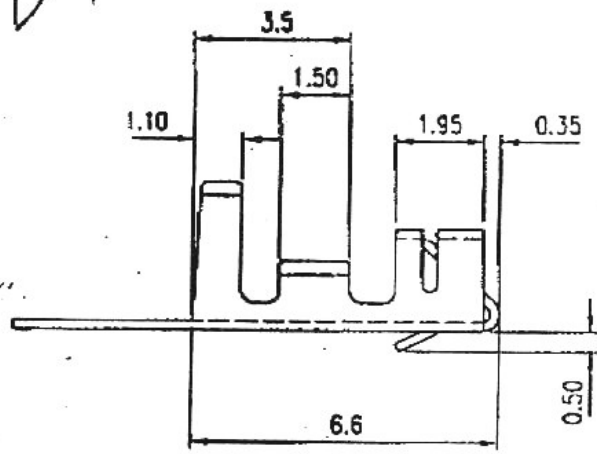


■ **TERMINAL**

- Material: Phosphor Bronze or Brass
- Thickness: 0.2mm
- Plating: Tin plated 60u"
- Wire Range: Suitable for AWG#22~28
- Insulation O.D: 1.90mm(max)
- Q'TY: 8,000 pcs/roll



A-A SECTION



B-B SECTION

**玄茂科技股份有限公司**  
**HSUAN MAO TECHNOLOGY CO., LTD.**

UNIT		SCALE	PART NAME	
MM		2:1	2.5mm PITCH CRIMP TERMINAL	
APPD.	CKD.	TOLERANCE	PART NO.	REV.
		0.5	T7000-XXJ00000	A

制表日 2002/12/04

DRAWING. APPROVED

*Jane*

1 2 3 4 5 6 7 8