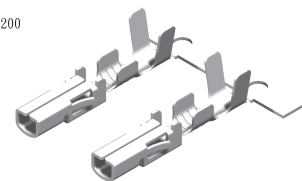
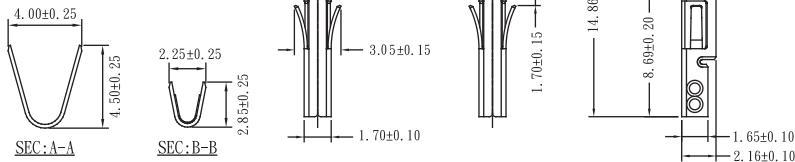


Old P/N.:4200 Series

4.2mm Female Terminal / Male Housing / Crimp Male Housing

Specifications

Current Rating: 9A AC,DC
 Voltage Rating: 600V AC,DC
 Temperature Range: 4200H: -25°C to +85°C
 4200HA: -40°C to +105°C
 Contact Resistance: 10mΩ Max
 Insulation Resistance: 1000MΩ Min
 Withstanding Voltage: 1500V AC/minute
 Material:Nylon 66,UL94V-2

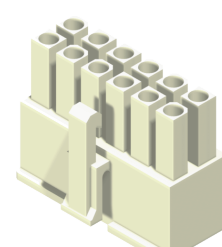
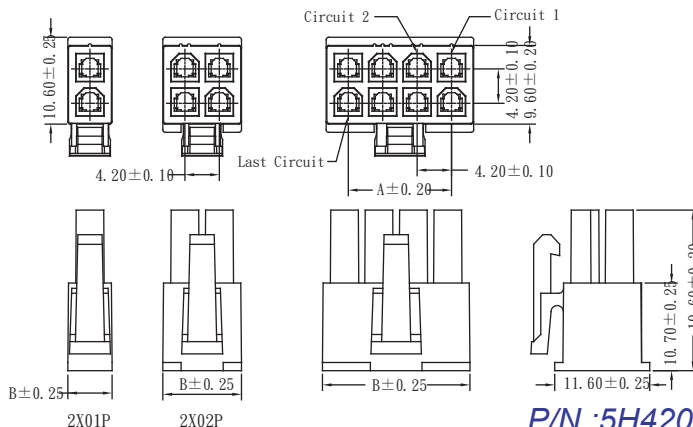


Part No.	Wire Range	Insulation O.D.	Material	Finish
5T4200F-BTOR-01	#16-#24	3.10mm(Max)	Brass	Tin Plated
5T4200F-PTOR-01			Phosphor Bronze	

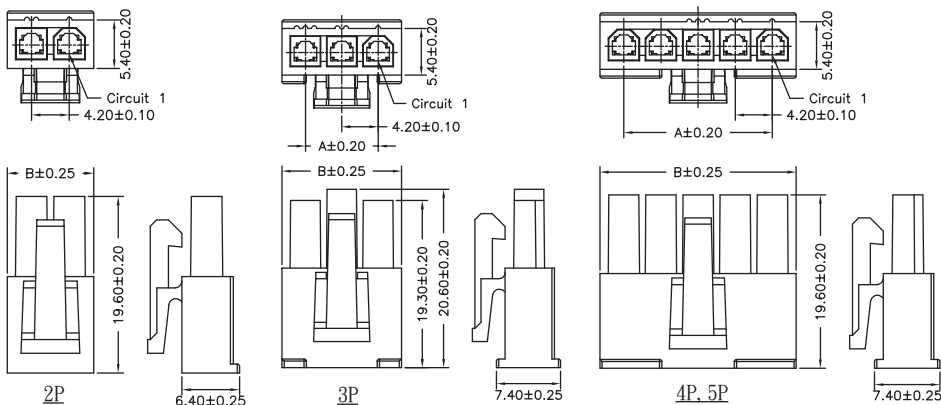
P/N.:5T4200F-XTOR-01

P:Phosphor Bronze
 B:Brass

No. of Contacts	Dimensions	
	A	B
2x1	---	5.70
2x2	4.20	9.60
2x3	8.40	13.80
2x4	12.60	18.00
2x5	16.80	22.20
2x6	21.00	26.40
2x7	25.20	30.60
2x8	29.40	34.80
2x9	33.60	39.00
2x10	37.80	43.20
2x11	42.00	47.40
2x12	46.20	51.60



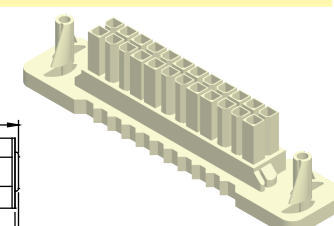
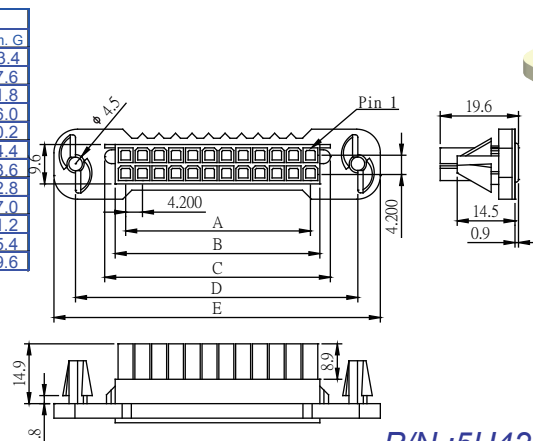
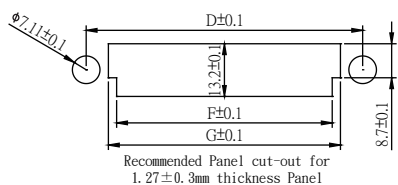
P/N.:5H4200F0-2XXWBL00-01



No. of Contacts	A	B
02	4.20	9.60
03	8.40	13.80
04	12.60	18.00
05	16.80	22.20

P/N.:5H4200F0-1XXWBL00-01

Dimensional Information (mm)							
Contacts	Dim. A	Dim. B	Dim. C	Dim. D	Dim. E	Dim. F	Dim. G
2x1		5.4	10.1	25.0	36.0	8.7	13.4
2x2	4.2	9.6	14.3	29.2	40.2	12.9	17.6
2x3	8.4	13.8	18.5	33.4	44.4	17.1	21.8
2x4	12.6	18.0	22.7	37.6	48.6	21.3	26.0
2x5	16.8	22.2	26.9	41.8	52.8	25.5	30.2
2x6	21.0	26.4	31.1	46.0	57.0	29.7	34.4
2x7	25.2	30.6	35.3	50.2	61.2	33.9	38.6
2x8	29.4	34.8	39.5	54.4	65.4	38.1	42.8
2x9	33.6	39.0	43.7	58.6	69.6	42.3	47.0
2x10	37.8	43.2	47.9	62.8	73.8	46.5	51.2
2x11	42.0	47.4	52.1	67.0	78.0	50.7	55.4
2x12	46.2	51.6	56.3	71.2	82.2	54.9	59.6



P/N.:5H4200F1-2XXWBL00-01