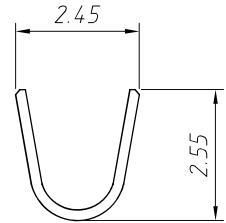
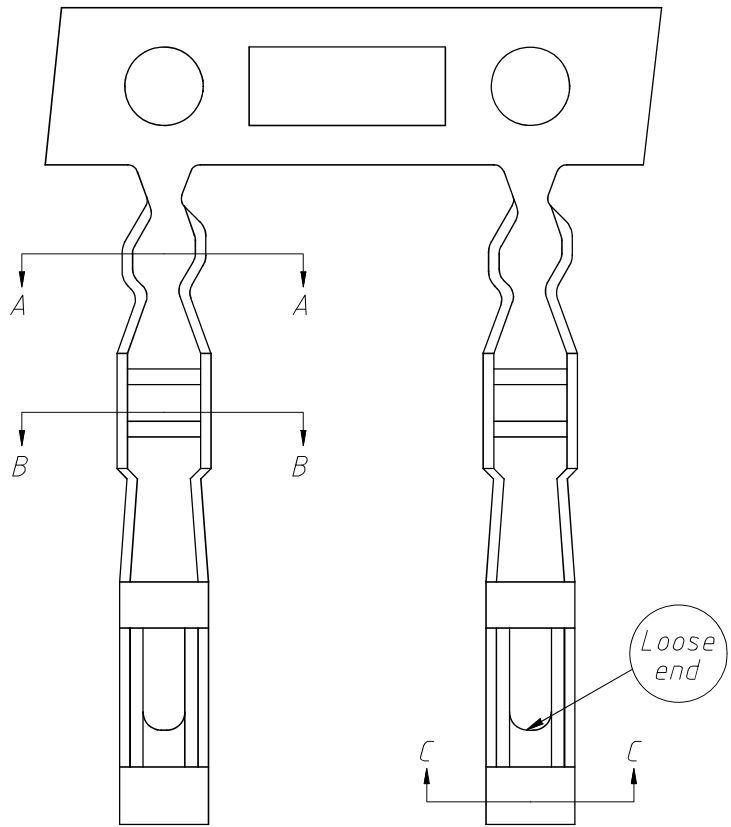
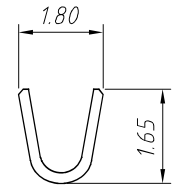


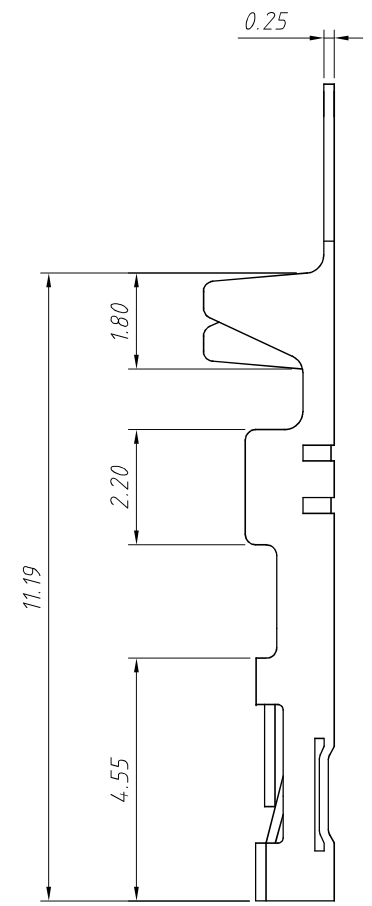
1  
RoHS Compliance



A-A

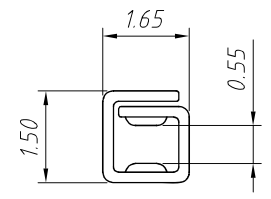


B-B



**Material:**  
 Terminal: Phosphor Bronze / Brass  
 Plating: Tin plated over Gold-Flash  
 Applicable wires: AWG #22 ~ # 26  
 Insulation O.D: 1.63mm  
 Qty/reel: 10000 pcs

**Electrical Characteristics:**  
 Rated Current: 3.0AMP  
 Voltage rating: 250V AC,DC  
 Temperature range: -25°C ~ + 85°C  
 Insulator Resistance: 1000MΩ Min  
 Withstanding Voltage: 1500V AC/minute  
 Contact Resistance: 20mΩ Max



C-C

**Order Information:**

L-KLS1-540A-T



L: RoHS

Pitch: 2.54mm

Type:

H-Hosing T-Terminal

ANGLE TOLERANCE	PROJECTION	Description:	
±3°		2.54mm pitch Dupont Wire To Board Connectors	
GENERAL TOLERANCE	UNITS	mm	KLS P/N:
x.x ±0.30	SHEET SIZE	A4	L-KLS1-540A-T
x.xx ±0.20	Draw:	Daniel	2021-01-11
x.xxx ±0.10	Check:	Daniel	2021-01-11



NingBo KLS ELECTRONIC CO.,L TD.